

LIFELINE[®] II Gas Detectors

Local and Remote Sensor/Transmitters

in the Zone™

LIFELINE II represents the very latest in electro-chemical and catalytic gas detection. State-of-the-art electronics provides exceptional performance and offers high reliability at an affordable price. Utilizing our own Zellcell- or SureCell electrochemical cells, catalytic bead or other sensor technologies, Zellweger Analytics provides customers with the best monitoring solution available.

LIFELINE II offers exceptional sensor and transmitter diagnostic capabilities. Sensors are available in both uncertified or certified versions.

Sensor cartridge exchange is quick, convenient and requires no in-field calibration. An innovative duct adapter facilitates exchange and in-situ gas challenges.

LIFELINE II features exceptional radio frequency immunity.

Sensor and transmitter components are specially shielded against RF. Analog to digital signal conversion in the sensor eliminates RF from sensor to transmitter, permitting long remote sensor distances, up to 330 feet (100m).

LIFELINE II is backed by a worldwide network of service engineers who operate on a 24 hour a day, 7 day a week basis.



Detectable Gas	Range
Ammonia	10-100 PPM
Arsine	0.02-1.2 PPM
Boron Trichloride	0.6-6 PPM
Bromine	0.04-0.4 PPM
Carbon Dioxide	2000 PPM -2% v/v
Carbon Monoxide	10-100 PPM
Chlorine	0.2-2 PPM
Chlorine Dioxide	0.04-0.4 PPM
Diborane	0.04-0.4 PPM
Dichlorosilane	1-10 PPM
Disilane	2-20 PPM
Fluorine	0.4-4 PPM
Germane	0.08-0.8 PPM
Hydrogen % LEL*	5-100% LEL
Hydrogen PPM	100-1000 PPM
Hydrogen Bromide	1.2-12 PPM
Hydrogen Chloride	2-20 PPM
Hydrogen Cyanide	2-20 PPM
Hydrogen Fluoride	1.2-12 PPM
Hydrogen Selenide	0.02-0.2 PPM
Hydrogen Sulfide	0.5-50 PPM
Methane*	5-100% LEL
Nitric Oxide	10-100 PPM
Nitrogen Dioxide	1.2-12 PPM
Oxygen	8-25%
Ozone	0.04-0.4 PPM
Phosphine	0.12-1.2 PPM
Silane	2-20 PPM
Sulfur Dioxide	0.8-15 PPM
TEOS	4-40 PPM

Features

- Smart sensors
- Long remote sensor distances
- Over 25 gases available
- Built-in relays (3) Form C
- Keypad interface
- Large backlit LCD display
- Internal event log
- Complete diagnostics
- No on-site calibration needed
- Disposable sensor cartridges
- No RF interference
- Innovative duct adapter
- Isolated 2-20mA output
- Comprehensive communications
- Easy installation
- 18-32 Volt operation

* ETL approval is voided if % LEL flammable cartridges are used.

z mda scientific

z neotronics

z sieger

Transmitter Specifications

Physical:

Size: Transmitter: 5 1/4" (133 mm) W X 3 3/4" (95 mm) H X 2 1/2" (64 mm) D
 Sensor: 1.94" (49 mm) D X 2.94" (75 mm) L
 Weight: Unit with Sensor: 1.1 lbs (.5 kg)

Power Requirements:

Operating Voltage: 18-32 VDC (24 VDC Nominal)

Power Consumption:

With Uncertified: 4 Watts maximum
 With Certified: 6 Watts maximum

Outputs:

Relays: A1, A2 and Fault Relays
 (3 Amp @ 48 VDC) Configurable
 Normally Open or Closed
 Latched or Unlatched
 Analog: 2-20mA Isolated (0,+20mA) Sink or Source
 Serial Communications: LONWORKS

Certification:

European: CE Marked for sale in Europe
 Meets European Standard EN 50270:1999 (Type 2)

Environmental:

Electrical: IP 65 Enclosure
 ETL approved UL3111-1 and CSA-C22.2 No. 1010.1-92

Response Times:

Typically: See Sensor Cartridge Data Sheets for particular cell types
 Toxic: $T_{90} < 30$ seconds
 Catalytic: $T_{90} < 5$ seconds

Performance:

LDL < LAL
 LAL = 1/2 TLV (typically 12% x FSD)
 FSD = 4 x TLV

Sensor Mounting:

Local to: Unit
 Remotely to: 300 ft. (100 m)

Operating Temperature:

Unit: -25°C to +55°C

Operating Humidity:

Unit: 25-95% RH
 Sensor: Typically 15-90% RH
 See Sensor Cartridge Data Sheets.

Wiring Requirement:

Remote Sensor: Belden 3084A or equivalent
 4-20mA: Belden 9953 (3), 9954 (4)
 LONWORKS: Belden 9156 or equivalent

members of the Zellweger Analytics Division

USA
Zellweger Analytics Inc
 405 Barclay Boulevard
 Lincolnshire, Illinois
 60069 USA
 Tel: +1 847 955 8200
 Toll free: +1 800 323 2000
 Fax: +1 847 955 8208
 Email: sales@zelana.com

Zellweger Analytics Inc
 5089 Bristol Industrial Way
 Suite B & C
 Buford, Georgia
 30518 USA
 Tel: +1 770 831 4800
 Toll free: +1 800 535 0606
 Fax: +1 678 546 1954
 Email: sales@zelana.com

UK
Zellweger Analytics Limited
 Hatch Pond House
 4 Stinsford Road
 Nuffield Estate
 Poole, Dorset
 BH17 0RZ, UK
 Tel: +44 (0) 1202 676161
 Fax: +44 (0) 1202 678011
 Email: sales@zelana.co.uk

ASIA PACIFIC
Zellweger Analytics Limited
 Asia Pacific Regional Office
 1 Scotts Road
 #25-04 Shaw Centre
 Singapore 228208
 Tel: +65 6862 7701
 Fax: +65 6862 3858
 Email: zalasia@singnet.com.sg

BELGIUM
Zellweger Analytics NV
 Leuvensesteenweg 392a
 Chée de Louvain
 B-1932 Zaventem
 Belgium
 Tel: +32 27140311
 Fax: +32 27140344
 Email: zabl@zelana.com

FRANCE
Zellweger Analytics
France SA
 Les Fermes Californiennes
 62 Avenue de l'Europe
 Emerainville, 77436
 MARNE LA VALLEE
 CEDEX 2 France
 Tel: +33 1 60 95 45 46
 Fax: +33 1 60 95 45 50

GERMANY
Zellweger Analytics GmbH
 Sollner Strasse 65b
 D-81479 München
 Germany
 Tel: +49 89 791 920
 Fax: +49 89 791 9243
 Email: vertriebscenter@zelana.de

ITALY
Zellweger Analytics srl
 Via F. Praticaccio 168
 I-20147 Milano
 Italy
 Tel: +39 0248 3391
 Fax: +39 0248 3023 14
 Email: zaitaly@zelana.com

SPAIN
Zellweger Analytics SA
 Avda Remolar 31
 08820 El Prat de Llobregat
 Barcelona
 Spain
 Tel: +34 93 379 9611
 Fax: +34 93 379 8551
 Email: zellana@jet.es

www.zelana.com

This publication is not intended to form the basis of a contract, and the company reserves the right to amend the design and specifications of the instruments without notice.

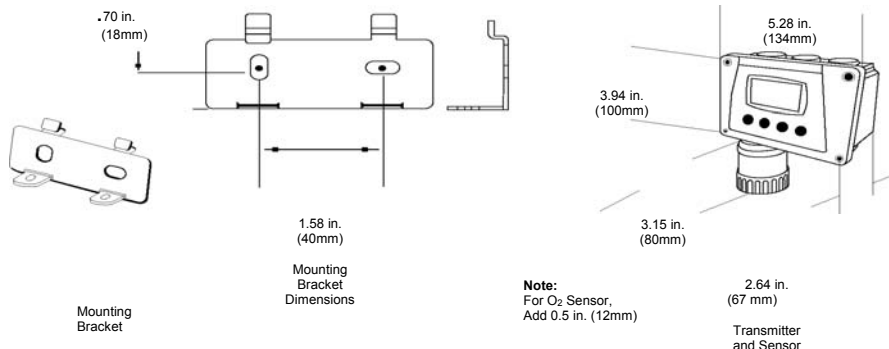
LIFELINE is a registered trademark of Zellweger Analytics, Inc.



LONWORKS is a registered trademark of Echelon Corp.



ETL is a registered trademark of ETL SEMKO.



Rev 3 01/2003 DS 1998-0347
 Copyright 2002, 2003 Zellweger Analytics, Inc.